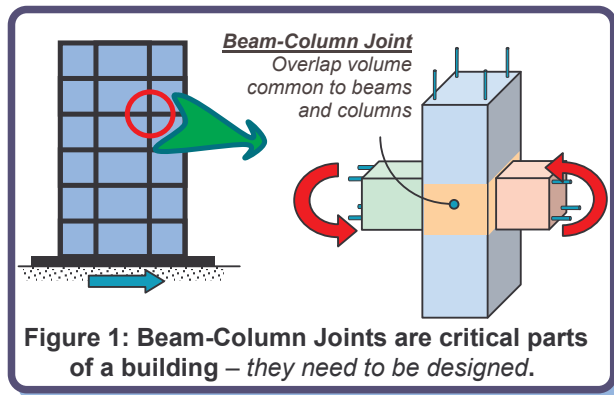


## How do Beam-Column Joints in RC Buildings Resist Earthquakes?

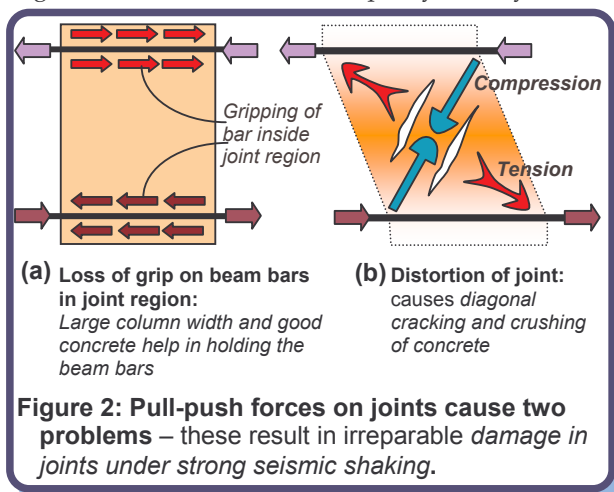
### Why Beam-Column Joints are Special

In RC buildings, portions of *columns* that are common to *beams* at their intersections are called *beam-column joints* (Figure 1). Since their constituent materials have limited strengths, the joints have *limited force carrying capacity*. When forces larger than these are applied during earthquakes, joints are severely damaged. Repairing damaged joints is difficult, and so damage must be avoided. Thus, beam-column joints must be designed to resist earthquake effects.



### Earthquake Behaviour of Joints

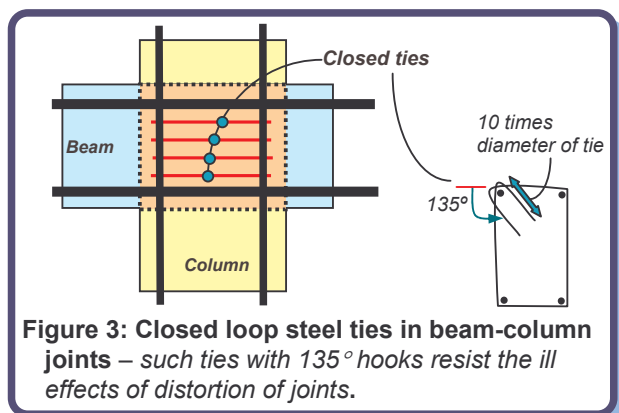
Under earthquake shaking, the beams adjoining a joint are subjected to moments in the same (clockwise or counter-clockwise) direction (Figure 1). Under these moments, the top bars in the beam-column joint are pulled in one direction and the bottom ones in the opposite direction (Figure 2a). These forces are balanced by bond stress developed between concrete and steel in the joint region. If the column is not wide enough or if the strength of concrete in the joint is low, there is insufficient grip of concrete on the steel bars. In such circumstances, the bar slips inside the joint region, and beams lose their capacity to carry load.



Further, under the action of the above pull-push forces at top and bottom ends, joints undergo geometric distortion; one diagonal length of the joint elongates and the other compresses (Figure 2b). If the column cross-sectional size is insufficient, the concrete in the joint develops diagonal cracks.

### Reinforcing the Beam-Column Joint

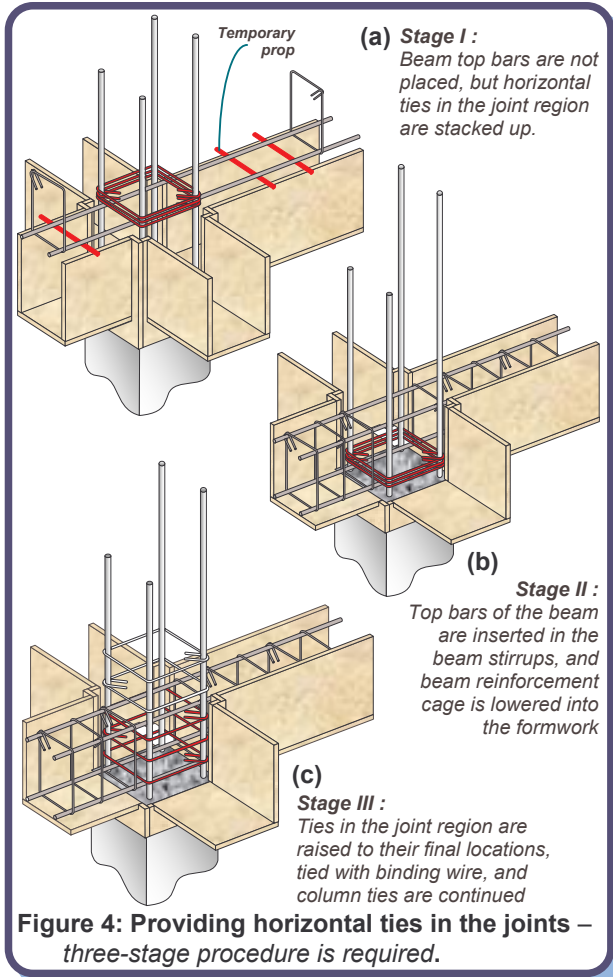
Problems of diagonal cracking and crushing of concrete in the joint region can be controlled by two means, namely *providing large column sizes* and *providing closely spaced closed-loop steel ties* around column bars in the joint region (Figure 3). The ties hold together the concrete in the joint and also resist shear force, thereby reducing the cracking and crushing of concrete.



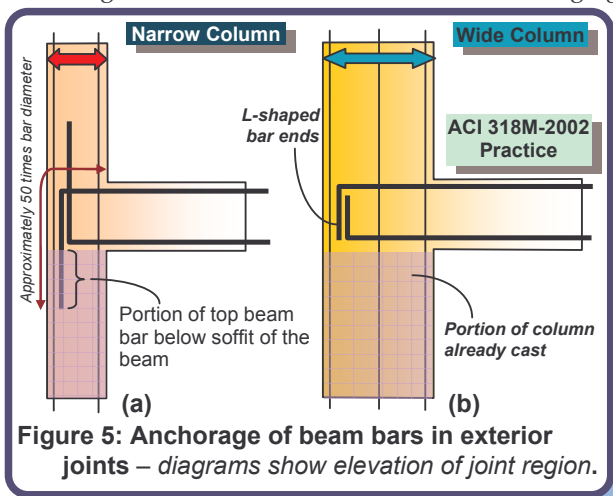
Providing closed-loop ties in the joint requires some extra effort. Indian Standard IS:13920-1993 recommends continuing the transverse loops around the column bars through the joint region. In practice, this is achieved by preparing the cage of the reinforcement (both *longitudinal bars* and *stirrups*) of all beams at a floor level to be prepared on top of the beam formwork of that level and lowered into the cage (Figures 4a and 4b). However, this may not always be possible particularly when the beams are long and the entire reinforcement cage becomes heavy.

### Anchoring Beam Bars

The gripping of beam bars in the joint region is improved *first* by using columns of reasonably large cross-sectional size. As explained in *Earthquake Tip 19*, the Indian Standard IS:13920-1993 requires building columns in seismic zones III, IV and V to be at least 300mm wide in each direction of the cross-section when they support beams that are longer than 5m or when these columns are taller than 4m between floors (or beams). The American Concrete Institute recommends a column width of at least 20 times the diameter of largest longitudinal bar used in adjoining beam.

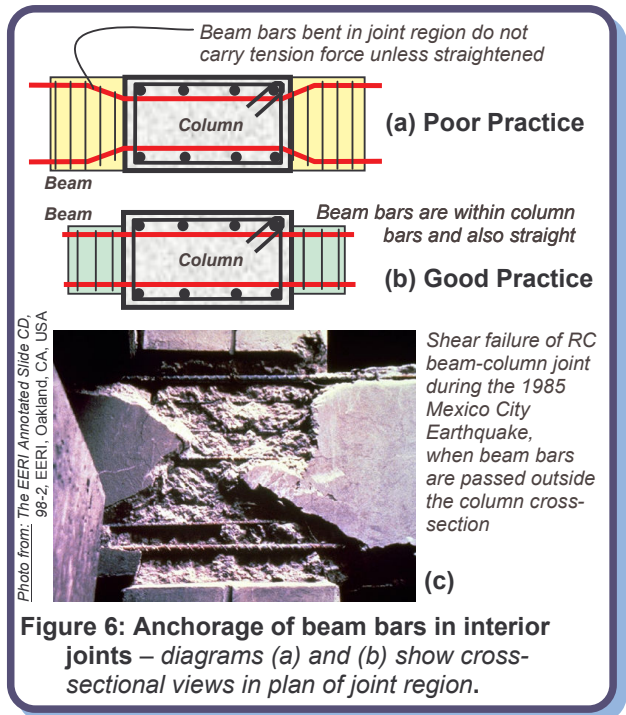


In exterior joints where beams terminate at columns (Figure 5), longitudinal beam bars need to be anchored into the column to ensure proper gripping of bar in joint. The length of anchorage for a bar of grade Fe415 (characteristic tensile strength of 415MPa) is about 50 times its diameter. This length is measured from the face of the column to the end of the bar anchored in the column. In columns of small widths and when beam bars are of large diameter (Figure 5a), a portion of beam top bar is embedded in the column that is cast up to the soffit of the beam, and a part of it overhangs. It is difficult to hold such an overhanging



beam top bar in position while casting the column up to the soffit of the beam. On the other hand, if column width is large, the beam bars may not extend below the soffit of the beam (Figure 5b). Thus, it is preferable to have columns with sufficient width. Such an approach has been used in the American practice [ACI318M, 2002].

In interior joints, the beam bars (both top and bottom) need to go through the joint without any cut in the joint region. Also, these bars must be placed within the column bars and with no bends (Figure 6).



**Related IITK - BMTPC Earthquake Tip**

- Tip17: How do Earthquakes Affect Reinforced Concrete Buildings?
- Tip18: How do Beams in RC Buildings Resist Earthquakes?
- Tip19: How do Columns in RC Buildings Resist Earthquakes?

**Resource Material**

ACI 318M, (2002), *Building Code Requirements for Structural Concrete and Commentary*, American Concrete Institute, Farmington Hills, (MI), USA.

IS 13920, (1993), *Indian Standard Code of Practice for Ductile Detailing of Reinforced Concrete Structures Subjected to Seismic Forces*, Bureau of Indian Standards, New Delhi.

SP 123, *Design of Beam-Column Joints for Seismic Resistance*, Special Publication, American Concrete Institute, USA, 1991

**Next Upcoming Tip**

Why are Open-Ground Storey Buildings Dangerous in Earthquakes?

**Authored by:**  
C.V.R.Murty  
Indian Institute of Technology Kanpur  
Kanpur, India  
**Sponsored by:**  
Building Materials and Technology Promotion Council, New Delhi, India

This release is a property of IIT Kanpur and BMTPC New Delhi. It may be reproduced without changing its contents and with due acknowledgement. Suggestions/comments may be sent to: [egtips@iitk.ac.in](mailto:egtips@iitk.ac.in). Visit [www.nicce.org](http://www.nicce.org) or [www.bmtpc.org](http://www.bmtpc.org), to see previous IITK-BMTPC Earthquake Tips.